

0.3m RAPID DEPLOYMENT BUOY



OSIL's Rapid Deployment Buoy provide a reliable way to ensure quick, easy and constant data collection

OSIL's Rapid Deployment Buoy is an affordable, quick and easy way to ensure constant data collection when other systems are out of action, or where an environmental situation requires short term, additional or backup monitoring.

Manufactured using a hard anodised marine grade aluminium hull that is only 30cm in diameter, the Rapid Deployment Buoy is built with a central deployment frame designed to safely accommodate a turbidity sensor, multiparameter sonde, or similar instrument, while providing protection from collision damage.

Designed for urgent deployments of up to 1 month in sheltered coastal and inshore areas, the Rapid Deployment Buoy carries sufficient batteries to power instrumentation, telemetry (GSM/GPRS/3G) and a data logger. Weighing 18 kg and having a total length of 1.5m, this buoy is easy for just one person to handle and deploy.

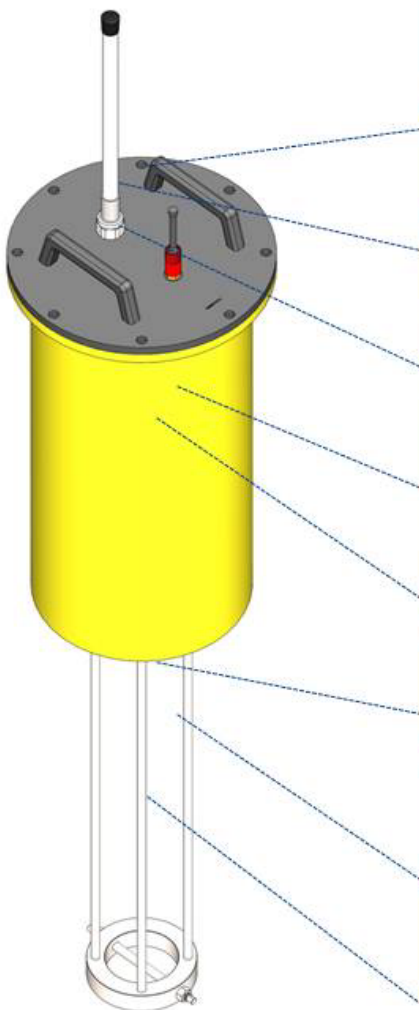
The single point mooring not only makes for easy deployment and recovery, but also reduces the drag in high flow areas.

Applications

- Dredge Monitoring
- Coastal Monitoring
- Freshwater Monitoring
- Estuarine Monitoring

A low cost, compact and lightweight monitoring solution for rapid deployment in sheltered coastal and inshore areas.

A range of telemetry options are available (UHF/VHF, GSM, GPRS, Satellite), selected to suit both the location and application requirements. OSIL provide a complete data telemetry solution, including either desk top or web-based software packages to access the data.



Hull Specifications

0.3m diameter, 18kg weight, 20kg net buoyancy



Tracking

On-station GPS trackers with watch circle alarms



Telemetry Options

GPRS/GSM, AIS, VHF/UHF radio, Iridium



Real-Time Data Delivery

OSIL data solutions, hosted services, direct to server & email



Dredge Monitoring

Rapid deployment, compact size & weight, easy recovery, repositionable



Hydrocarbon Detector

Submersible hydrocarbon sensor



Water Quality Sensors

Dissolved Oxygen, pH, Temperature, Conductivity, Salinity, Turbidity, Chlorophyll & Blue-Green Algae



Current Speed & Direction

High resolution current speed, direction & turbulence data

Other sensors are available on request

FOR FURTHER INFORMATION PLEASE CONTACT:

Ocean Scientific International Ltd
 Culkin House, C7/8 Endeavour Business Park,
 Penner Road, Havant, Hampshire PO9 1QN, UK
 T: +44 (0) 2392 488240 E: osil@osil.com W: www.osil.com