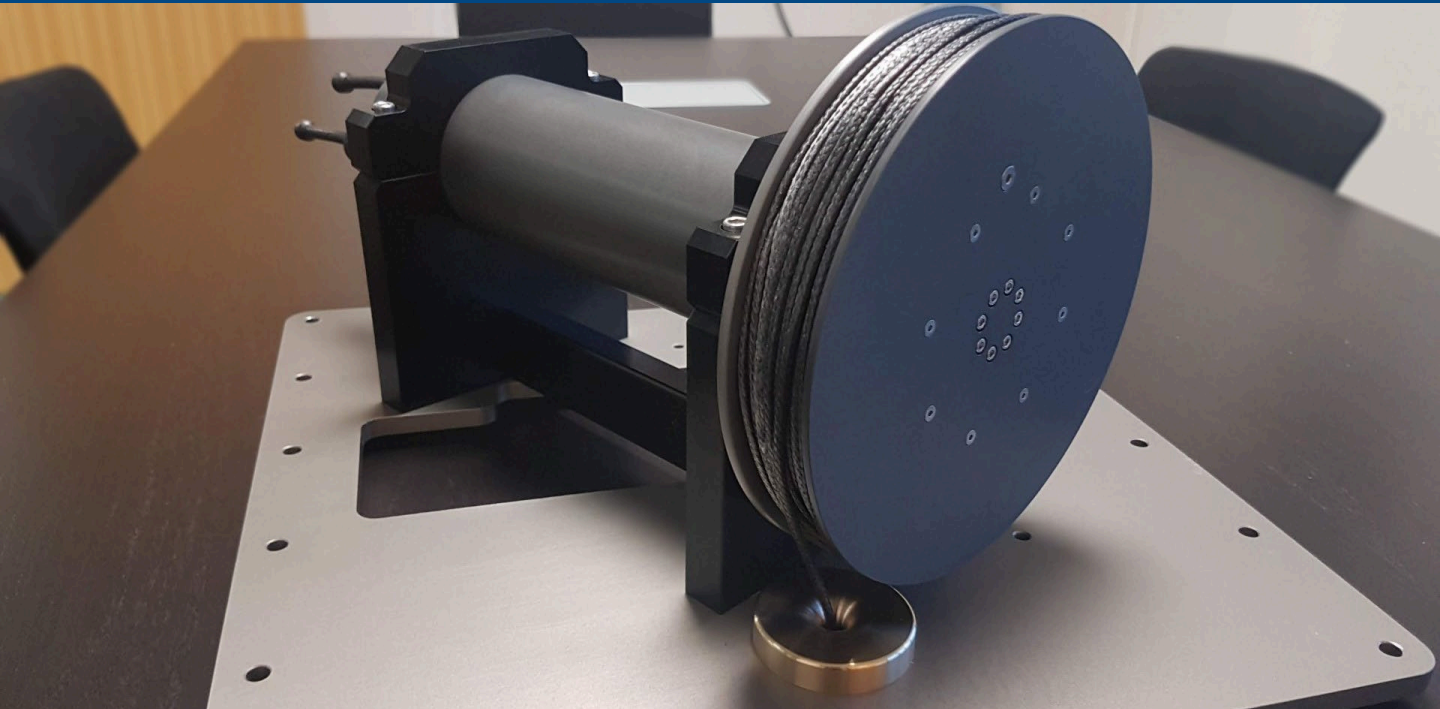


# MICRO PROFILING WINCH



## Compact programmable profiling winch

An extremely compact and programmable direct drive profiling winch suitable for integration on floating platforms (i.e. data buoys) and Autonomous Surface Vehicles.

The winch is equipped with a transparent interface for motor control and feedback.

The system can provide notification of successful docking and zeroing of the winch position in addition to payout readings, and is fitted with a level wind and an automatic internal brake.

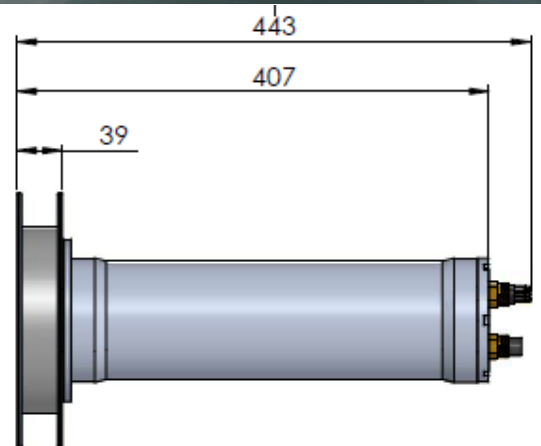
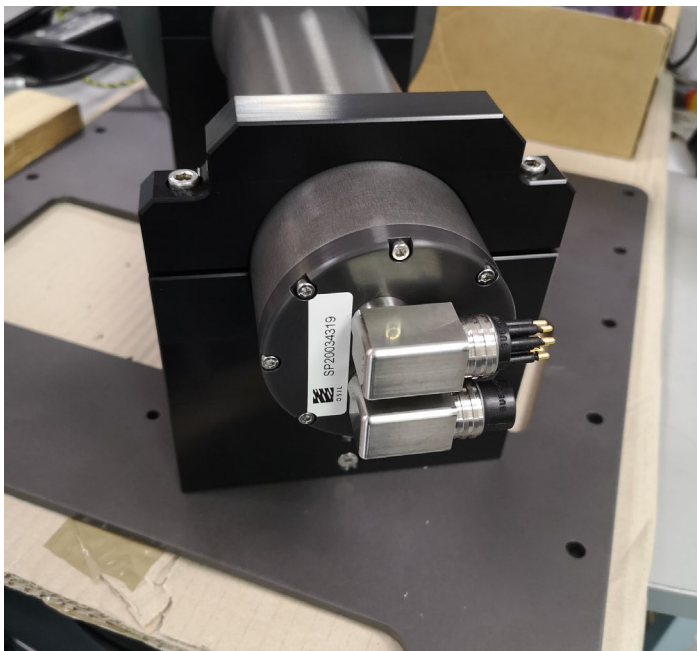
### Applications

- Camera deployment
- Current profiling
- Water quality profiling
- Sound Velocity profiling
- Hydrophone deployment



### Specifications

Materials & Finishing	High strength 7075 aluminium (hard anodised), Delrin
Motor Current Requirement	24V DC @ 10A
Holding Capacity	5kg
Line Diameter	2mm
Max. Line Pull	5kg at first layer
Line Speed	~0.5m/s
Drum Capacity	100m @ 2mm
Bolt Pattern	User configurable
Dimensions	443 x 218 x 218(h)mm
Weight	8kg



**FOR FURTHER INFORMATION PLEASE CONTACT:**

**Ocean Scientific International Ltd**  
 Culkin House, C7/8 Endeavour Business Park,  
 Penner Road, Havant, Hampshire PO9 1QN, UK  
 T: +44 (0) 2392 488240 E: osil@osil.com W: www.osil.com