

1.9m FULMAR METOCEAN BUOY



OSIL



OSIL's range of Data Buoys provide a robust, reliable sampling platform

OSIL's Fulmar Data Buoy is a versatile instrumentation platforms ideally suited for collection and measurement of oceanographic, meteorological (metocean) and water quality data parameters, and is completely adaptable to any applications' needs.

The system is supplied with a range of sensors that can specified by the customer. All buoys are fitted with solar panels, navigation/warning lights and other markings as necessary. A range of telemetry options are available (UHF/VHF, GSM, GPRS, Satellite), selected to suit both the location and application requirements. OSIL provide a complete data telemetry solution, including either desk top or web-based software packages to access the data.

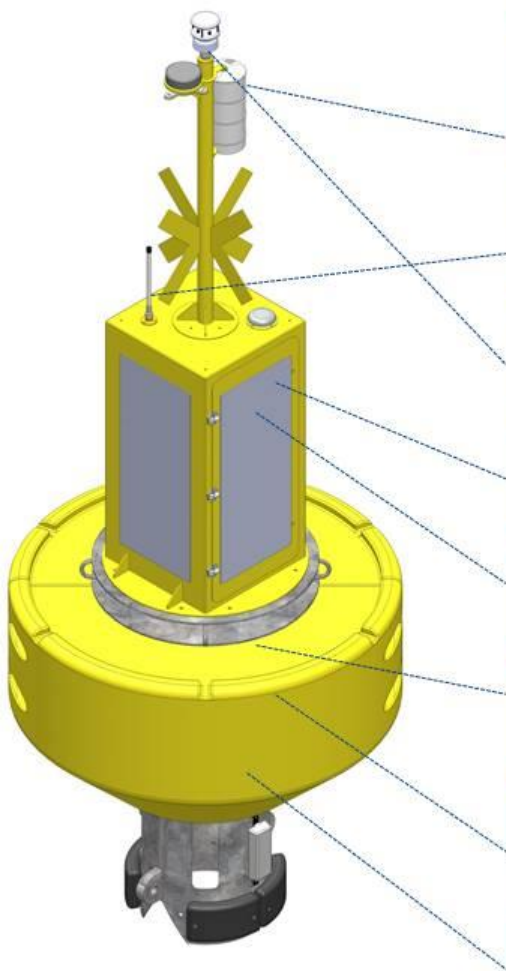
Instrumentation can be deployed anywhere from near surface to the seabed. The buoys can be moored in a fixed position with either single point, dual point or compliant mooring (where required).

Applications

- Water Quality Monitoring
- Scientific Studies
- Coastal Engineering
- Maritime Traffic Control
- Harbour & Coastal Monitoring

All buoys are fitted with four 70W solar panels, battery back up, navigation/warning lights (IALA Standard Lamp) and other markings as necessary (St Andrews cross, Internal Radar Reflector etc.).

A range of telemetry options are available (UHF/VHF, GSM, GPRS, Satellite), selected to suit both the location and application requirements. OSIL provide a complete data telemetry solution, including either desk top or web-based software packages to access the data.



	Hull Specifications 1.9m diameter, 3.1m focal plane, 960kg weight, ~1000kg reserve buoyancy (after payload), ballast weight 240kg
	Aids To Navigation Radar reflector, IALA standard lanterns, AIS transponder, On-station GPS trackers with watch circle alarms
	Telemetry Options GPRS/GSM, AIS, VHF/UHF radio, Iridium
	Meteorological Measurements Wind speed/direction, atmospheric pressure, air temperature & humidity, solar radiation, precipitation
	Real-Time Data Delivery OSIL data solutions, hosted services, direct to server & email
	Oil Spill Detector Non-contact optical hydrocarbon sensor for surface spills, submersible hydrocarbon sensor
	Water Quality Sensors Dissolved Oxygen, pH, Temperature, Conductivity, Salinity, Turbidity, Chlorophyll & Blue-Green Algae
	Wave Measurements Wave direction, height & period, external or internal compass
	Current Speed & Direction High resolution current speed, direction & turbulence data

Other sensors are available on request

FOR FURTHER INFORMATION PLEASE CONTACT:

Ocean Scientific International Ltd
 Culkin House, C7/8 Endeavour Business Park,
 Penner Road, Havant, Hampshire PO9 1QN, UK
 T: +44 (0) 2392 488240 E: osil@osil.com W: www.osil.com