

# 0.6m INSHORE MONITORING BUOY



OSIL



## OSIL's Inshore Monitoring Buoy provides a quick and easy way to ensure constant and immediate data collection

The Inshore Monitoring Buoy is a quick and easy way to ensure constant and immediate data collection when other systems are out of action, or where an environmental situation requires monitoring.

Manufactured using a rotationally moulded polyethylene hull, the buoy system is built with a central structure designed to safely accommodate turbidity sensors, a multiparameter sonde or similar instrument, while providing protection from collision damage.

The Inshore Monitoring Buoy carries solar panels with battery back up, and a GPRS enabled data logger. Weighing 45 kg and having a total length of 1.8m, this buoy is easy to handle and deploy.

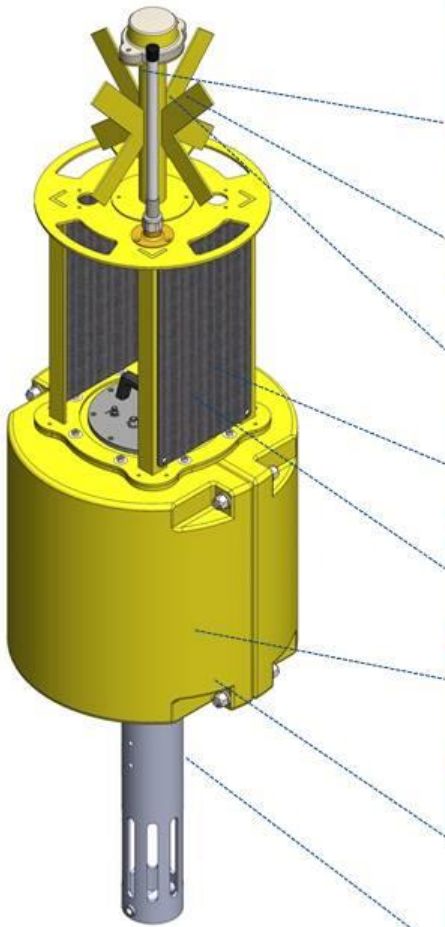
The single point mooring not only makes for easy deployment and recovery, but also reduces the drag in high flow areas.

### Applications

- Dredge Monitoring
- Hydrocarbon Monitoring
- Coastal Monitoring
- Lake Monitoring
- River Monitoring
- Estuary Monitoring

All buoys are fitted with four 14W solar panels, battery back up, navigation/warning lights (IALA Standard Lamp) and St Andrews cross.

A range of telemetry options are available (UHF/VHF, GSM, GPRS, Satellite), selected to suit both the location and application requirements. OSIL provide a complete data telemetry solution, including either desk top or web-based software packages to access the data.



	<b>Hull Specifications</b> 0.6m diameter, 1.0m focal plane, 45kg weight, ~60kg reserve buoyancy (after payload)
	<b>Aids To Navigation</b> Radar reflector, IALA standard lanterns, On-station GPS trackers with watch circle alarms
	<b>Telemetry Options</b> GPRS/GSM, AIS, VHF/UHF radio, Iridium
	<b>Meteorological Measurements</b> Wind speed/direction, atmospheric pressure, air temperature & humidity, solar radiation, precipitation
	<b>Real-Time Data Delivery</b> OSIL data solutions, hosted services (Campbell Konect), direct to server & email
	<b>Oil Spill Detector</b> Submersible hydrocarbon sensor
	<b>Water Quality Sensors</b> Dissolved Oxygen, pH, Temperature, Conductivity, Salinity, Turbidity, Chlorophyll & Blue-Green Algae
	<b>Wave Measurements</b> Wave direction, height & period, external or internal compass
	<b>Current Speed &amp; Direction</b> High resolution current speed, direction & turbulence data

Other sensors are available on request

**FOR FURTHER INFORMATION PLEASE CONTACT:**

**Ocean Scientific International Ltd**  
 Culkin House, C7/8 Endeavour Business Park,  
 Penner Road, Havant, Hampshire PO9 1QN, UK  
 T: +44 (0) 2392 488240 E: osil@osil.com W: www.osil.com