

# 1.75m GANNET METOCEAN BUOY



## The ideal robust platform at an affordable price

The Gannet buoy is a versatile instrumentation platform ideally suited for collection and measurement of oceanographic, meteorological and water quality data parameters, and is completely adaptable to any applications' needs.

The system is designed for extended deployment in harsh coastal environments in deeper water depths (up to ~50m, depending on deployment conditions), and is suitable for all applications.

The buoy system is extremely robust, with instrumentation and cables held internally, protected by the rugged enclosed top section, which has been designed to minimise damage from the elements or external interference.

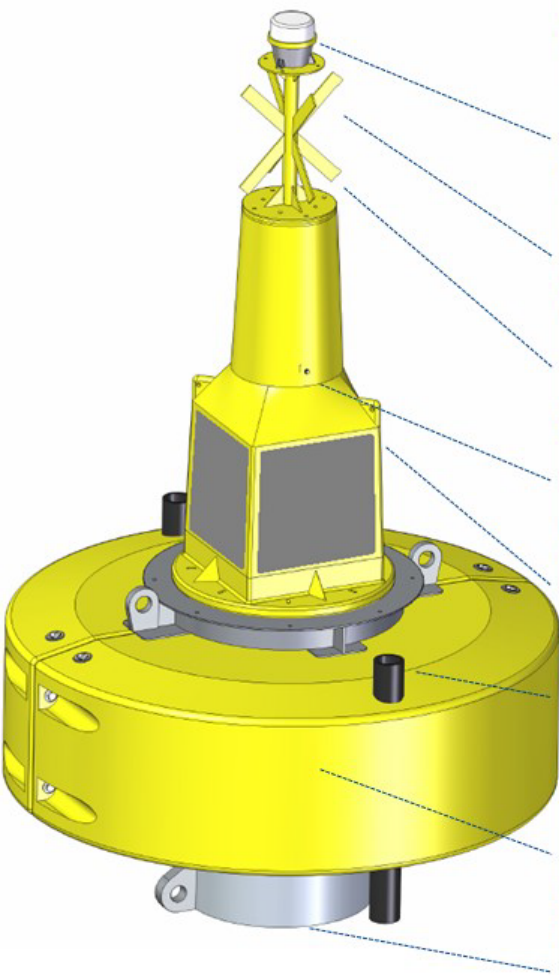
All sensors are secured within a central structure which offers good water flow for water quality sensors, while also providing a very high degree of protection for valuable, sensitive, or delicate equipment. The platform also offers a higher visibility profile, easily seen in high-traffic areas.


### Applications

- Water Quality Monitoring
- Scientific Studies
- Coastal Engineering
- Maritime Traffic Control
- Harbour & Coastal Monitoring

All buoys are fitted with four 27W solar panels, battery back up, navigation/warning lights (IALA Standard Lamp) and other markings as necessary (St Andrews cross, Internal Radar Reflector etc.).

A range of telemetry options are available (UHF/VHF, GSM, GPRS, Satellite), selected to suit both the location and application requirements. OSIL provide a complete data telemetry solution, including either desk top or web-based software packages to access the data.



- 
**Hull Specifications**  
 1.75m diameter, 3m focal plane, 650kg weight, ~1670kg reserve buoyancy (after payload), ballast weight optional
- 
**Aids To Navigation**  
 Radar reflector, IALA standard lanterns, AIS transponder, On-station GPS trackers with watch circle alarms
- 
**Telemetry Options**  
 GPRS/GSM, AIS, VHF/UHF radio, Iridium
- 
**Meteorological Measurements**  
 Wind speed/direction, atmospheric pressure, air temperature & humidity, solar radiation, precipitation
- 
**Real-Time Data Delivery**  
 OSIL data solutions, hosted services, direct to server & email
- 
**Oil Spill Detector**  
 Non-contact optical hydrocarbon sensor for surface spills, submersible hydrocarbon sensor
- 
**Water Quality Sensors**  
 Dissolved Oxygen, pH, Temperature, Conductivity, Salinity, Turbidity, Chlorophyll & Blue-Green Algae
- 
**Wave Measurements**  
 Wave direction, height & period, external or internal compass
- 
**Current Speed & Direction**  
 High resolution current speed, direction & turbulence data

Other sensors are available on request

**FOR FURTHER INFORMATION PLEASE CONTACT:**

**Ocean Scientific International Ltd**  
 Culkin House, C7/8 Endeavour Business Park,  
 Penner Road, Havant, Hampshire PO9 1QN, UK  
 T: +44 (0) 2392 488240 E: osil@osil.com W: www.osil.com