



OMC-506 Barometric pressure sensor

The OMC-506 Barometric pressure sensor is a high precision sensor with which Observator can guarantee an accuracy of ± 0.2 hPa. This sensor is often used within Met systems on board offshore platforms, within the Obsermet OMC-410 MultiMetProbe and various other applications. The OMC-506 is based on a stable, floating piezoresistive transducer and a micro-processor with build in 16 bit D/A converter. Output RS485 and an industry standard 4..20 mA signal

Features:

- High accuracy 0.03% FS
- Temperature compensated
- Range 800..1100 hPa (on request 600..1100 hPa)
- RS485 output and 4..20 mA output
- Low power consumption
- Fast response
- Excellent Long term stability



Airport



Barometric pressure sensor in OMC-183 housing

GENERAL DESCRIPTION

The OMC-506 Barometric pressure sensor is depended on the configuration mounted into a cabinet together with the signal conditioning unit OMC-183, mounted into the housing of the MultiMetProbe or in a separate housing. In all situations there is the possibility to ventilate to the outside air with a process connection.

DATA SUMMARY

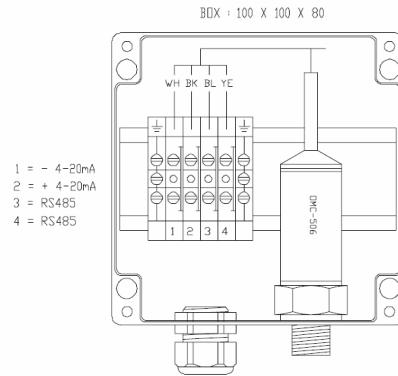
- Operating range 800 to 1100 hPa
- On request other ranges available
- Floating piezoresistive transducer
- Temperature compensated (polynomial compensation)
- Power 8..28 Vdc
- Output RS485 and 4..20 mA
- Accuracy 0.05% FS
- Temperature range -40°C..70°C
- CE-conformity EN50081-2, EN 50082-2
- Material st.st. 316

CABLE Layout:

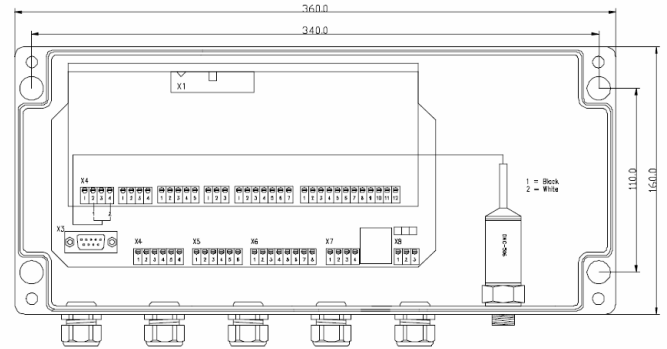
White: Out/Ground
Black: + Vcc

Blue: RS485 A
Yellow: RS485B

(Red not used)



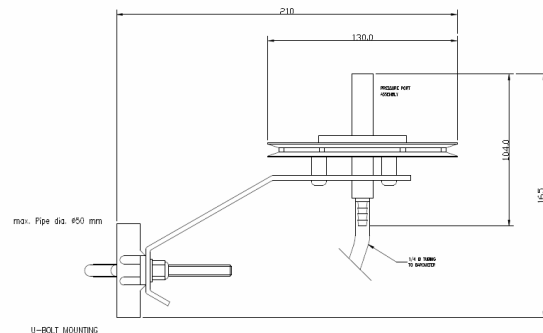
OMC-506 in separate housing



OMC-506 in cabinet together with signal conditioning unit

Optional

- OMC-509 Pressure Port to minimise airflow influences , when the barometric sensor is vented outside via tube.



 **OBSERVATOR**
instruments

Culkin House,
C8 Endeavour Business Park,
Penner Road, Havant,
Hampshire PO9 1QN
T: 02392 488240
E: osil@osil.co.uk
W: www.osil.co.uk


OSIL
Environmental Instruments
and Systems